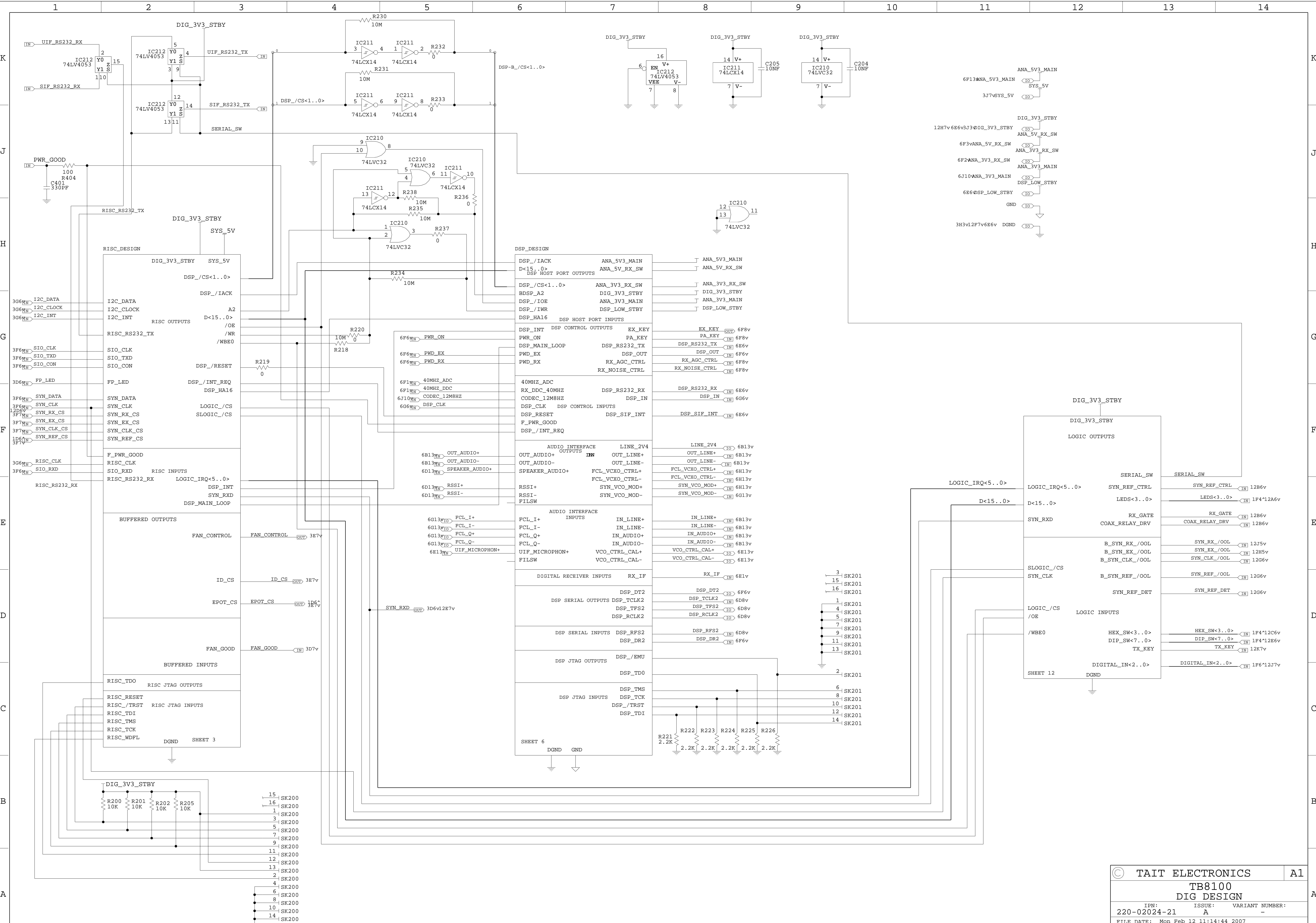


20D	UPDATED PASTE PADS ON 40WAY CONNECTOR	SS	SH	CJK	SH	22MAY06
20B	REPANLETO SAME AS 220-02024-19	TB	SH	ML	SH	19JUL05
20A	ECO IC702 ADDED	CJK	SH	CJK	SH	03JUN05
REV/ISS	AMENDMENTS	DRAWN	CHKD	D.O.	APVD	DATE

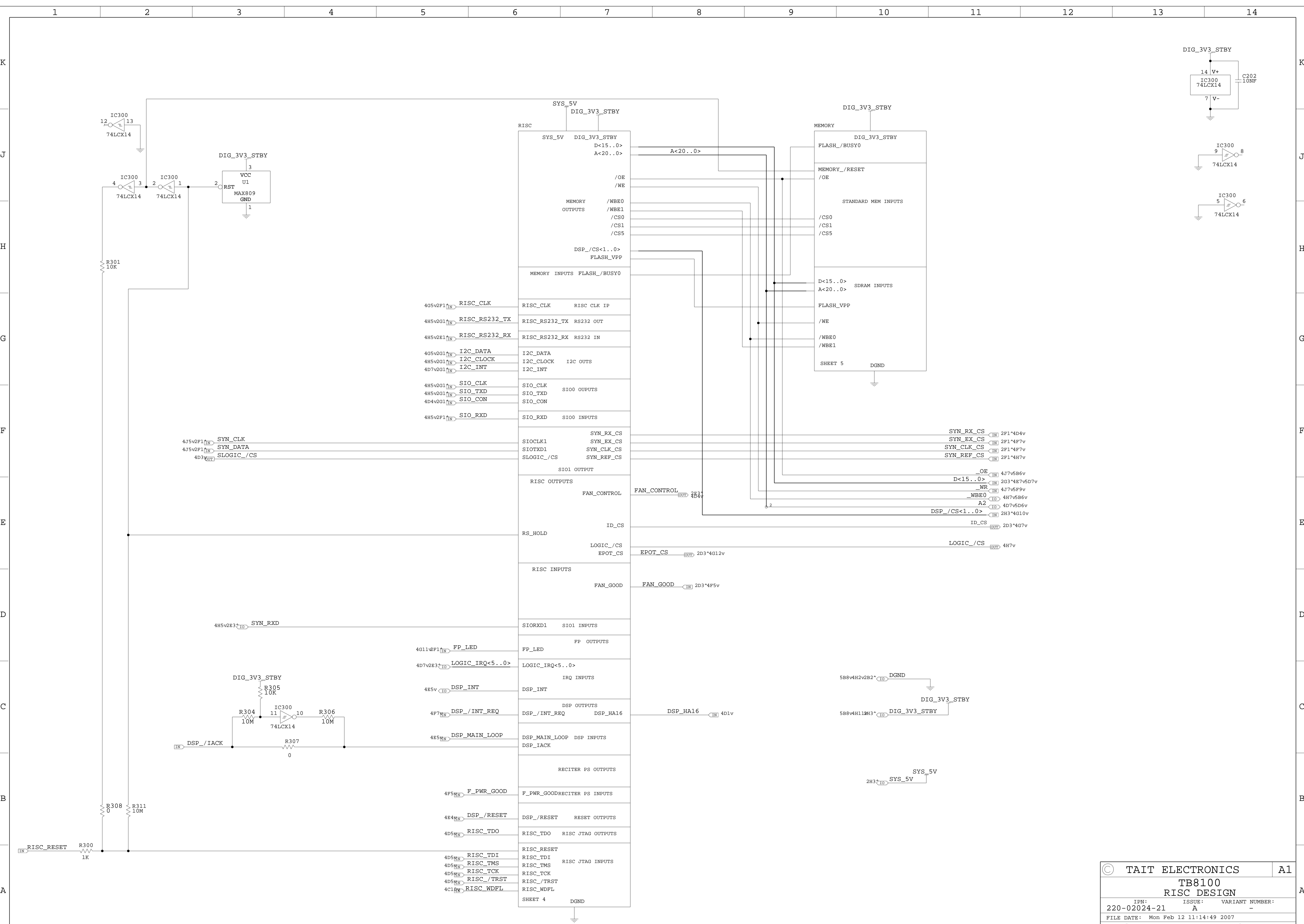
21A	UPDATED PASTE PADS ON 40WAY CONNECTOR	ET	CK	DE	IM	30JAN07
-----	---------------------------------------	----	----	----	----	---------

TAIT ELECTRONICS		A1
TB8100 RECITER CONTROL		
IPN:	ISSUE:	VARIANT NUMBER:
220-02024-21	A	-
FILE DATE: Mon Feb 12 11:14:39 2007		
ENGINEER:	FILE NAME:	SHEET NUMBER:
Alastair C	220_02024	1 OF 18



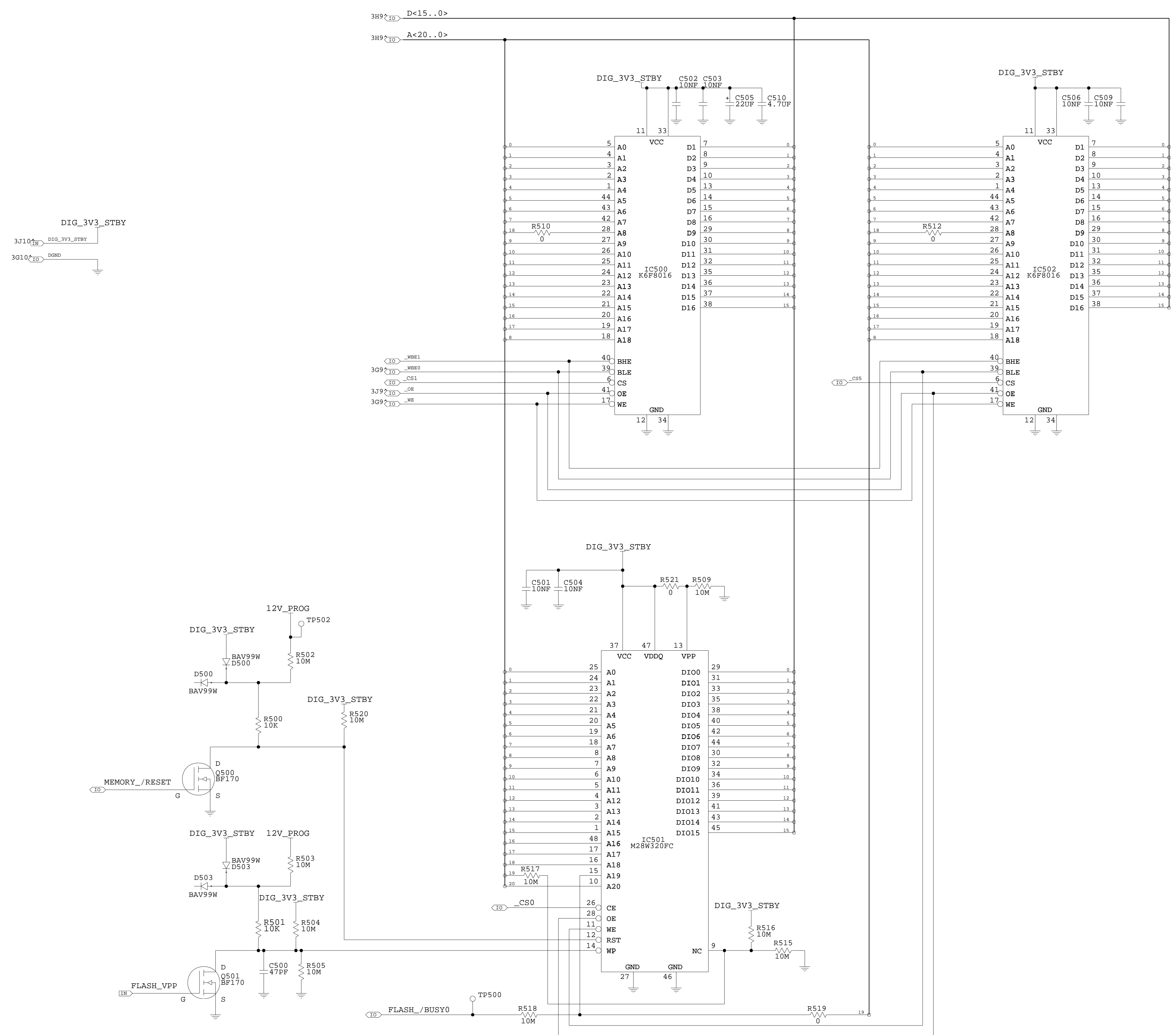
REV/ISS	1	2	3	4	5	6	7	8	9	10	11	12	13	14
AMENDMENTS														
DRAWN														
CHKD														
D.O.														
APVD														
DATE														

© TAIT ELECTRONICS		A1
TB8100		
DIG DESIGN		
IPN:	ISSUE:	VARIANT NUMBER:
220-02024-21	A	-
FILE DATE:	Mon Feb 12 11:14:44 2007	
ENGINEER:	FILE NAME:	SHEET NUMBER:
Alastair C	220_02024	2 OF 18



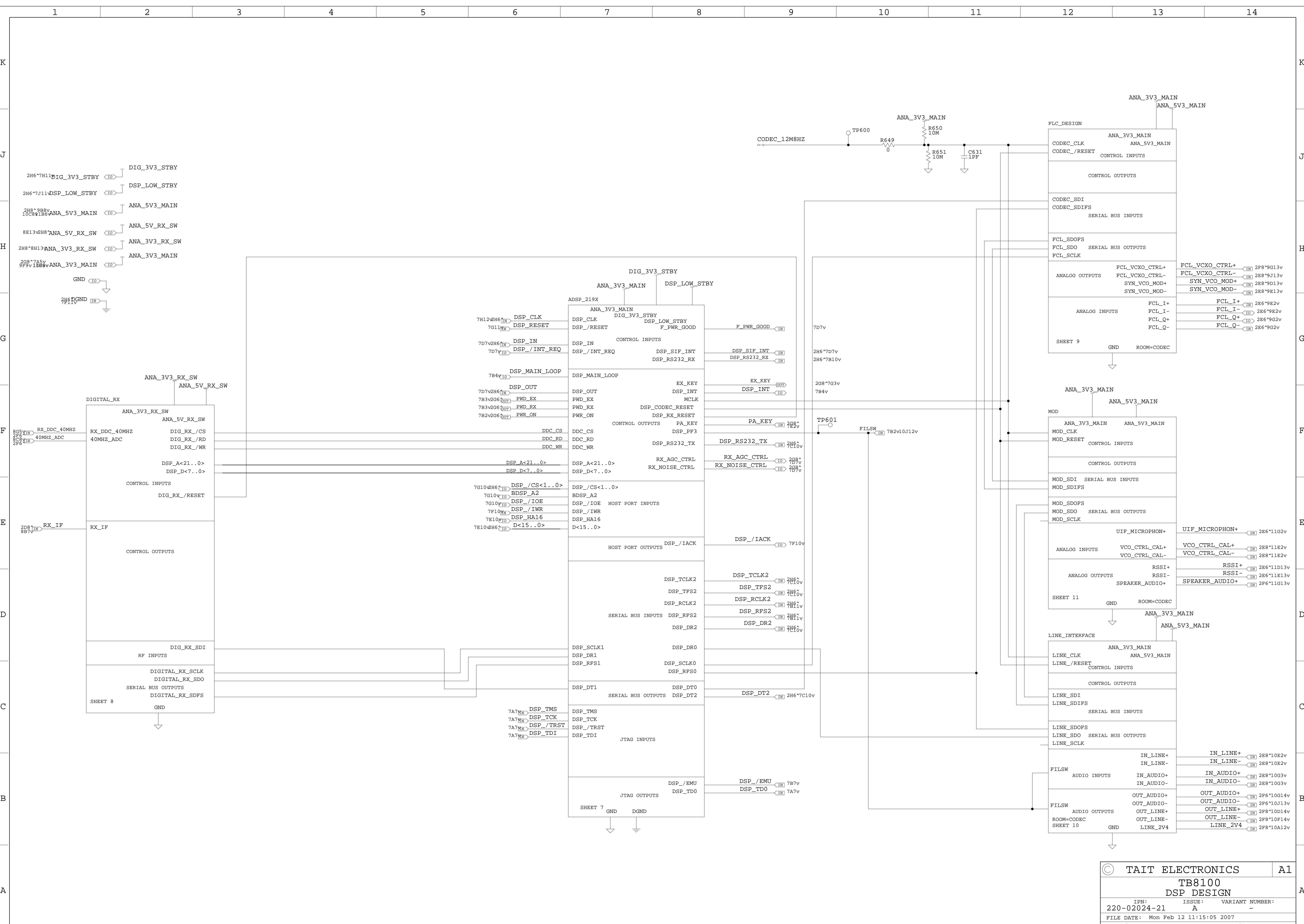
© TAIT ELECTRONICS		A1
TB8100		
RISC DESIGN		
IPN:	ISSUE:	VARIANT NUMBER:
220-02024-21	A	-
FILE DATE: Mon Feb 12 11:14:49 2007		
ENGINEER:	FILE NAME:	SHEET NUMBER:
Alastair C	220_02024	3 OF 18

REV/ISS	AMENDMENTS	DRAWN	CHKD	D.O.	APVD	DATE
1						



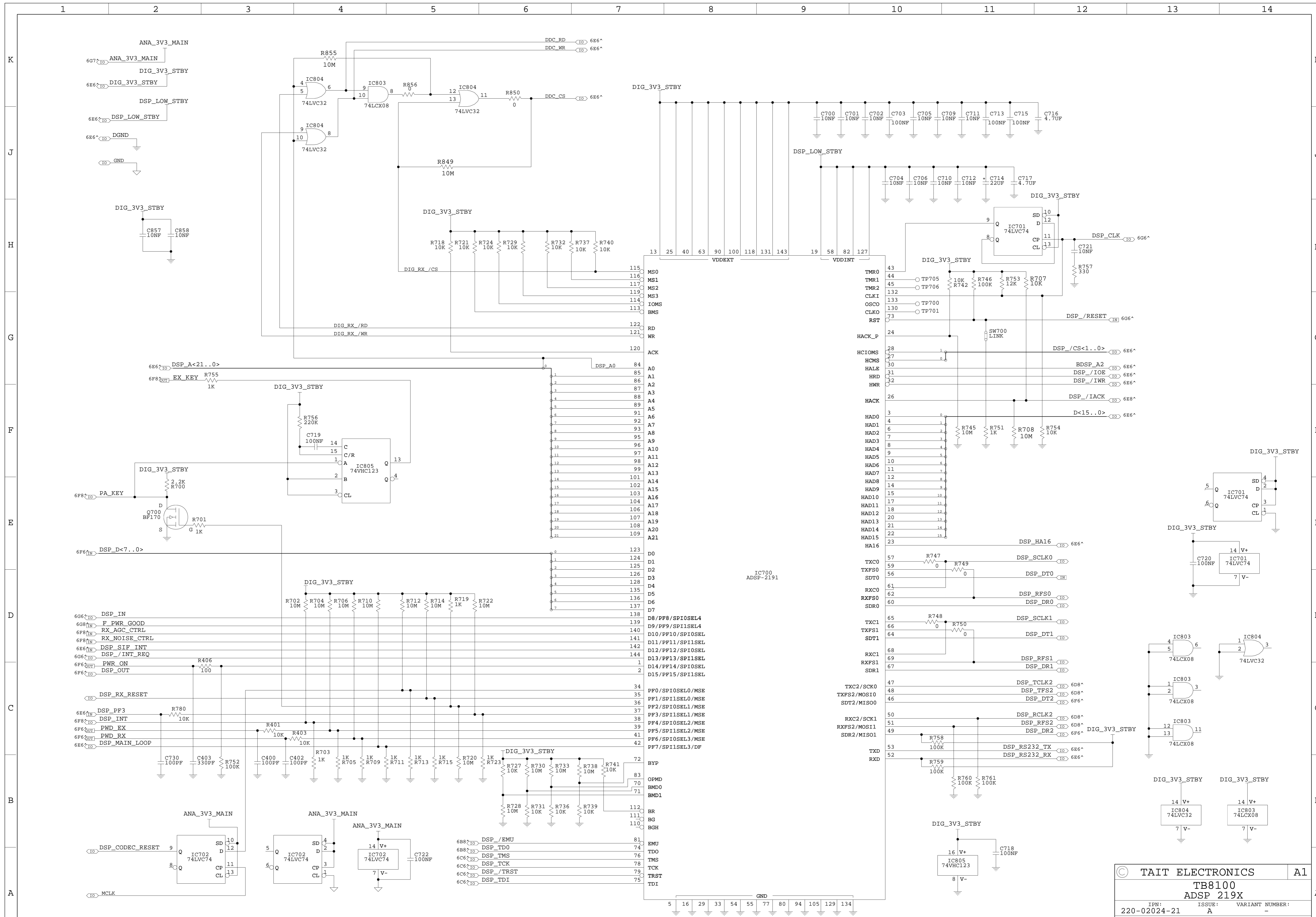
© TAIT ELECTRONICS		A1
TB8100 MEMORY		
IPN: 220-02024-21	ISSUE: A	VARIANT NUMBER: -
FILE DATE: Mon Feb 12 11:14:59 2007		
ENGINEER: Alastair C	FILE NAME: 220_02024	SHEET NUMBER: 5 OF 18

REV/ISS	AMENDMENTS	DRAWN	CHKD	D.O.	APVD	DATE
1						



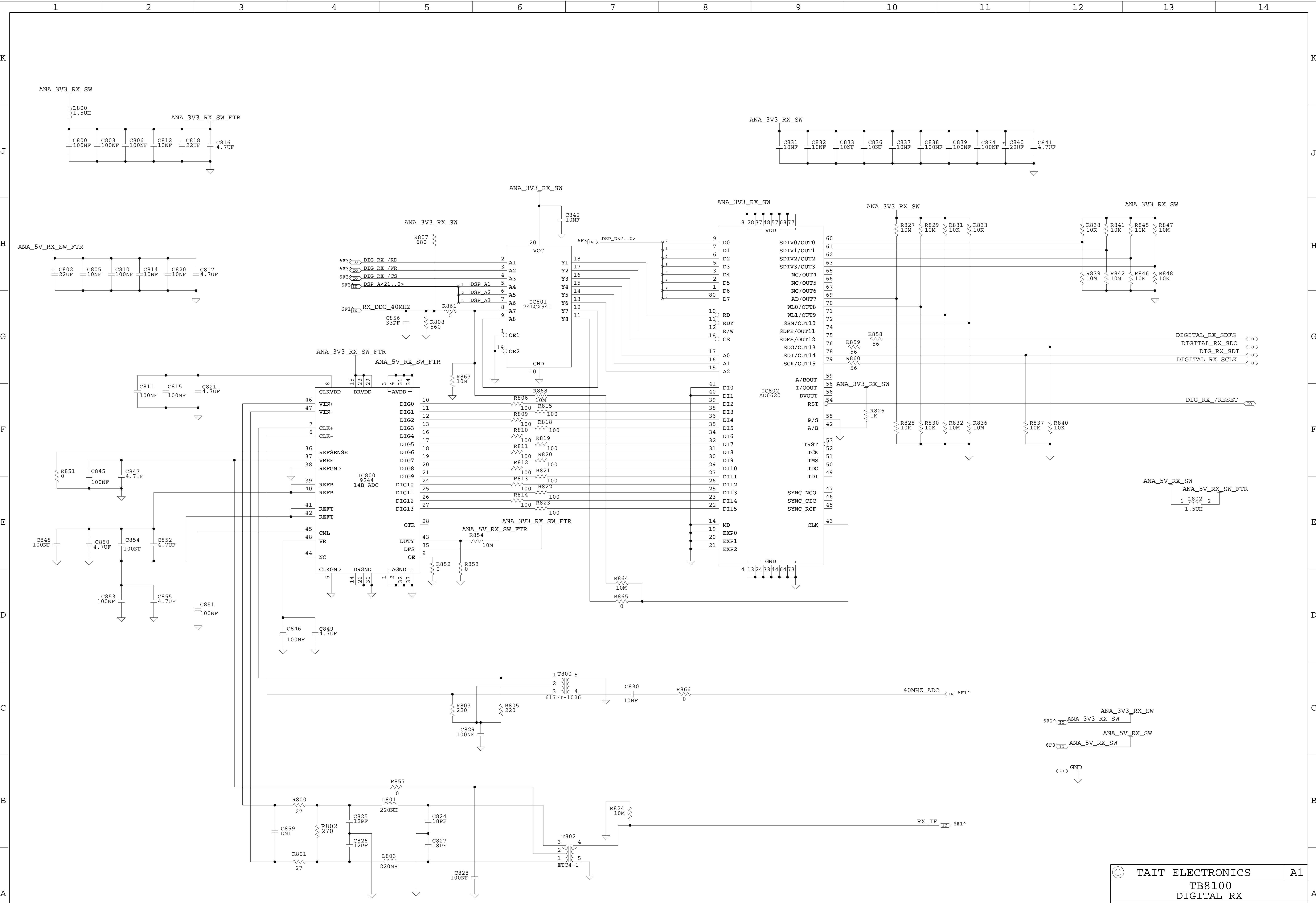
© TAIT ELECTRONICS		A1
TB8100 DSP DESIGN		
IPN: 220-02024-21	ISSUE: A	VARIANT NUMBER: -
FILE DATE: Mon Feb 12 11:15:05 2007		
ENGINEER: Alastair C	FILE NAME: 220_02024	SHEET NUMBER: 6 OF 18

REV/ISS	AMENDMENTS	DRAWN	CHKD	D.O.	APVD	DATE
1						



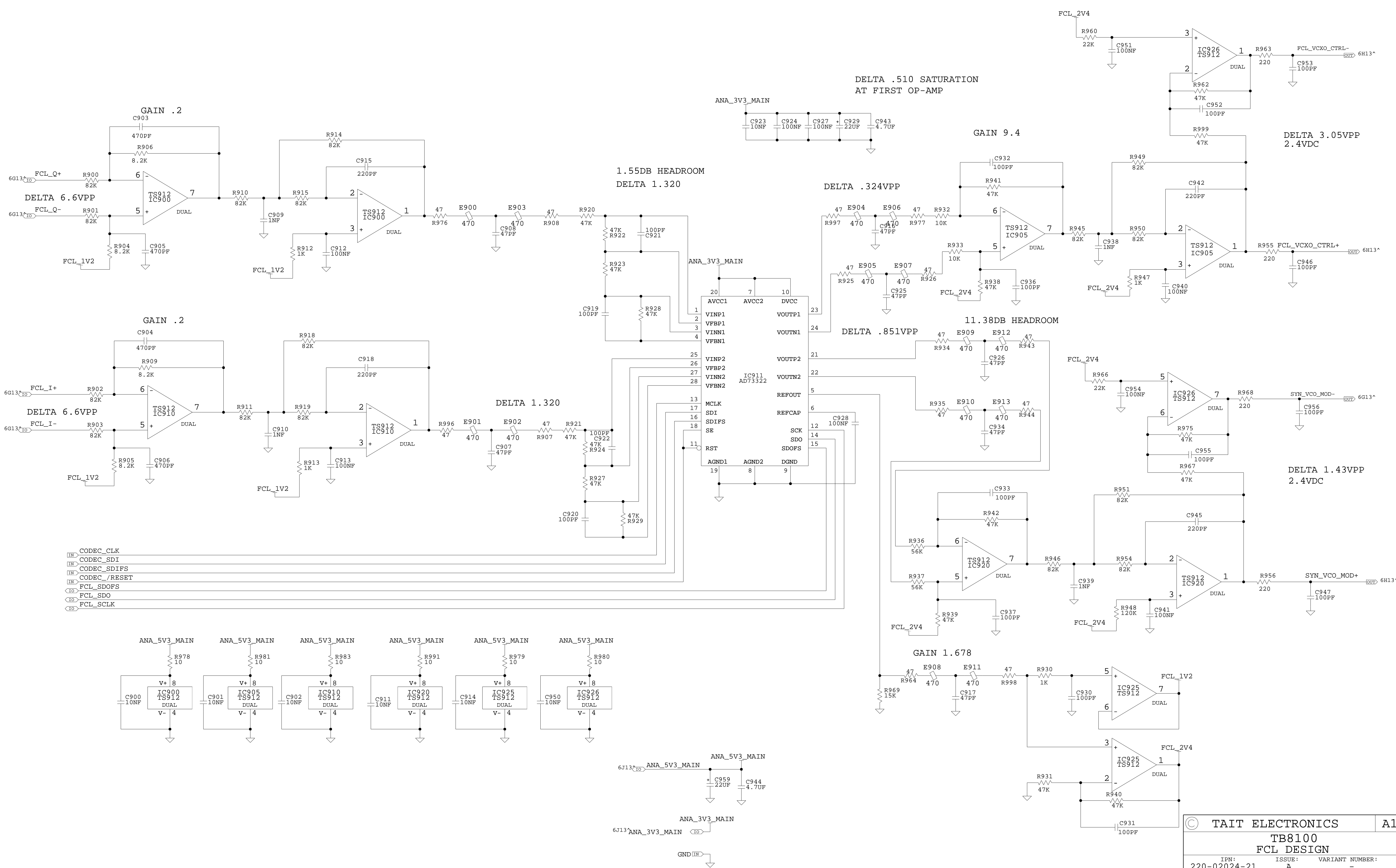
© TAIT ELECTRONICS		A1
TB8100		
ADSP 219X		
IPN: 220-02024-21	ISSUE: A	VARIANT NUMBER: -
FILE DATE: Mon Feb 12 11:15:15 2007		
ENGINEER: Alastair C	FILE NAME: 220_02024	SHEET NUMBER: 7 OF 18

REV/ISS	AMENDMENTS	DRAWN	CHKD	D.O.	APVD	DATE
1						



© TAIT ELECTRONICS		A1
TB8100 DIGITAL RX		
IPN: 220-02024-21	ISSUE: A	VARIANT NUMBER: -
FILE DATE: Mon Feb 12 11:15:22 2007		
ENGINEER: Alastair C	FILE NAME: 220_02024	SHEET NUMBER: 8 OF 18

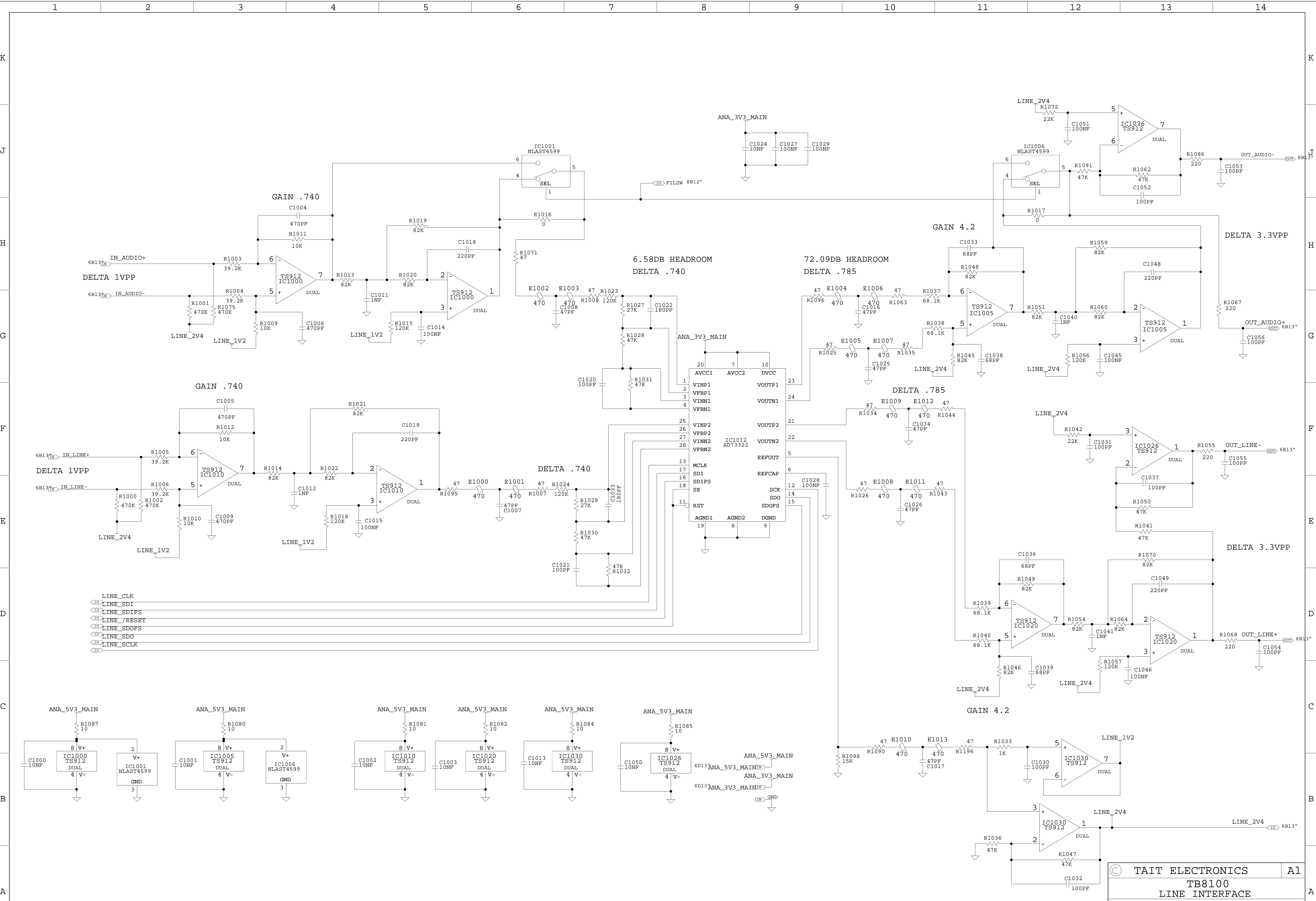
REV/ISS	AMENDMENTS	DRAWN	CHKD	D.O.	APVD	DATE
1						



- HN CODEC_CLK
- HN CODEC_SDI
- HN CODEC_SDIFS
- HN CODEC_/RESET
- HN FCL_SDOFS
- HN FCL_SDO
- HN FCL_SCLK

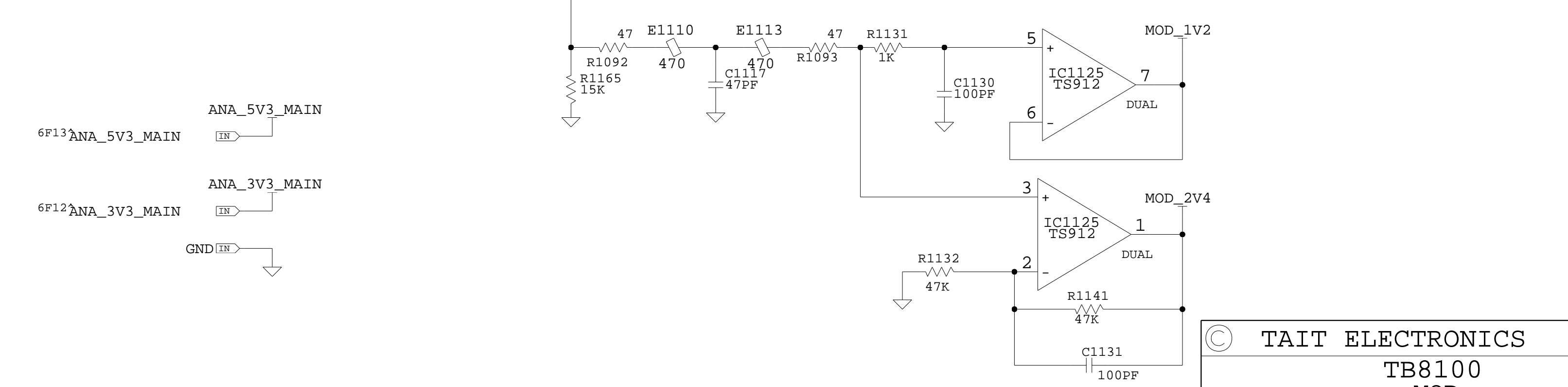
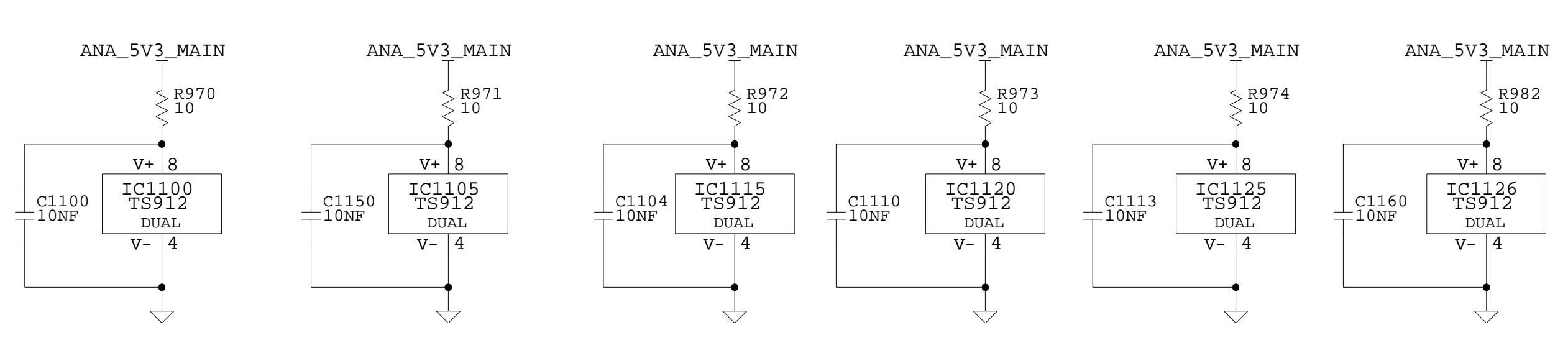
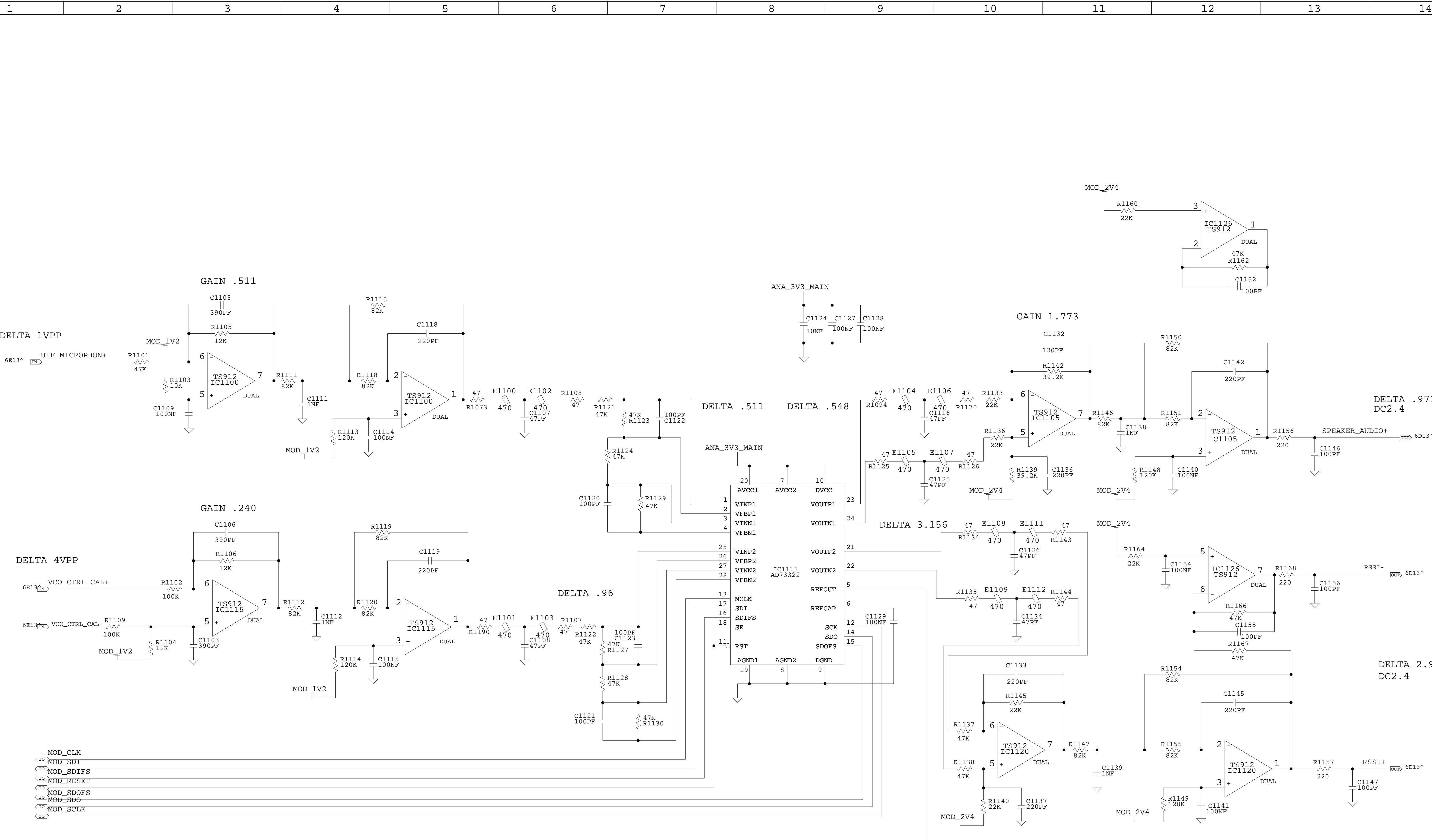
© TAIT ELECTRONICS		A1
TB8100		
FCL DESIGN		
IPN: 220-02024-21	ISSUE: A	VARIANT NUMBER: -
FILE DATE: Mon Feb 12 11:15:28 2007		
ENGINEER: Alastair C	FILE NAME: 220_02024	SHEET NUMBER: 9 OF 18

REV/ISS	AMENDMENTS	DRAWN	CHKD	D.O.	APVD	DATE
1						



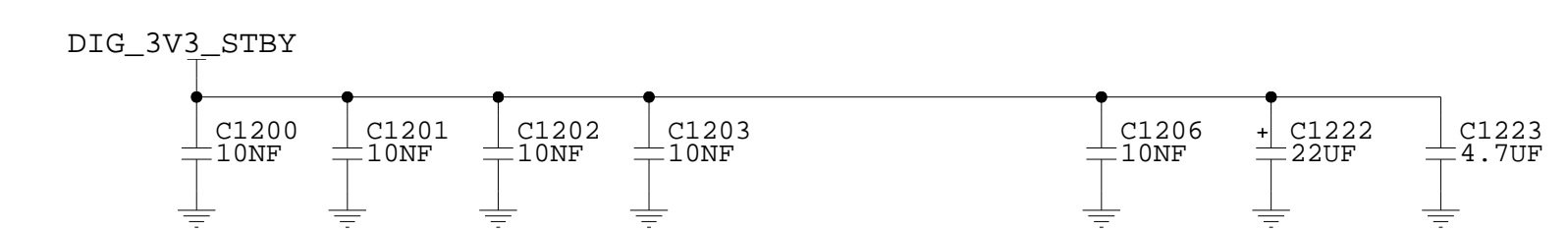
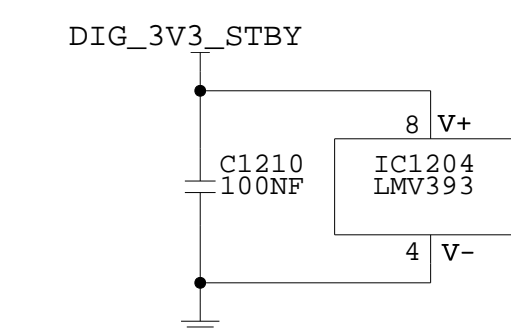
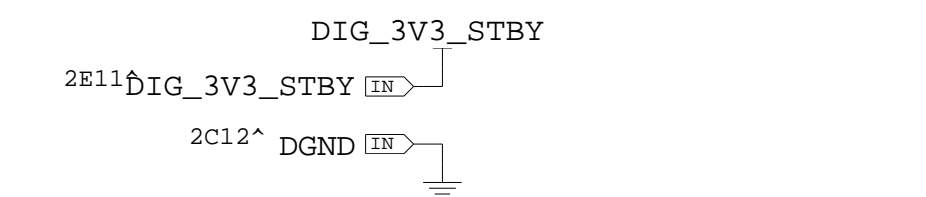
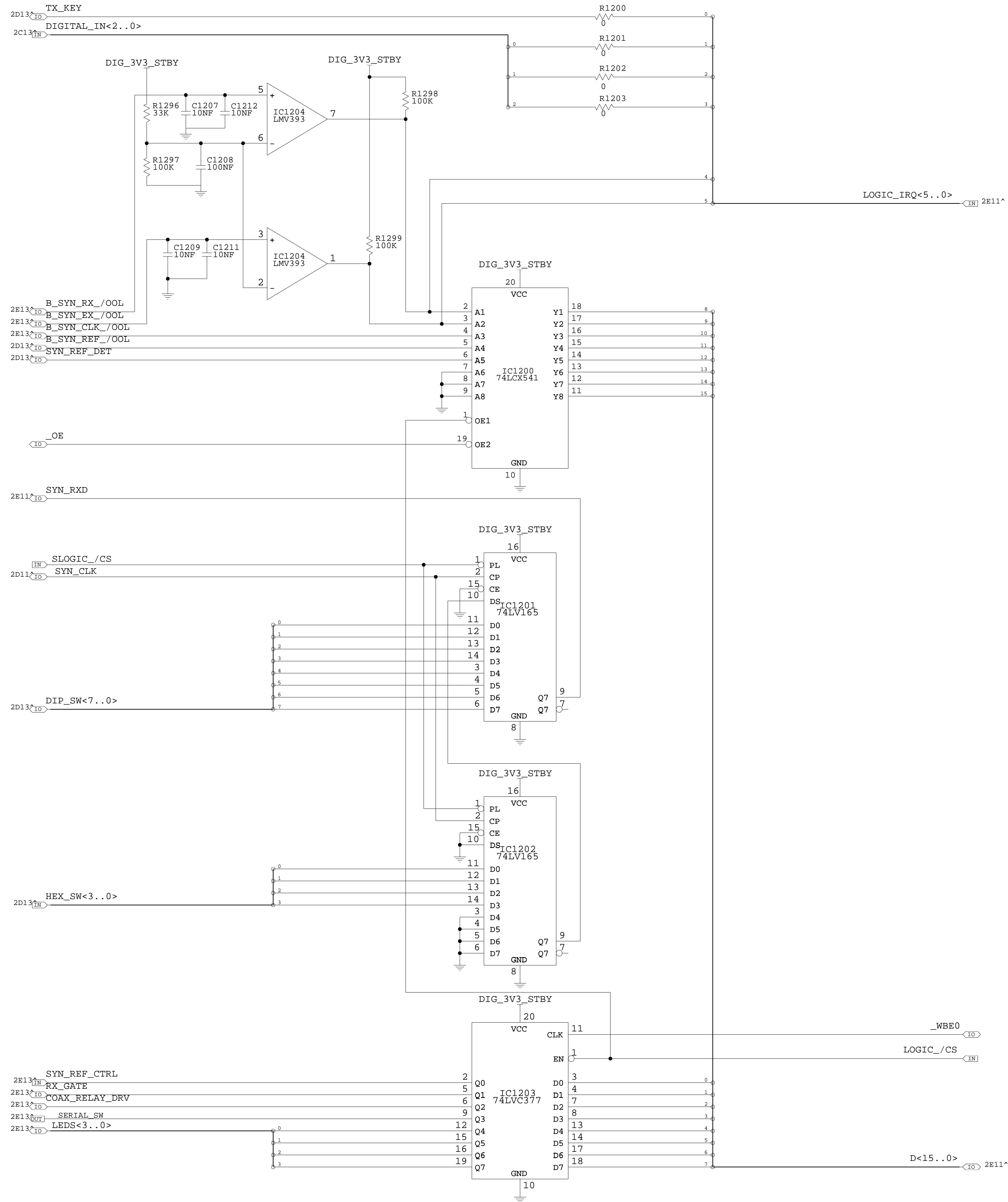
TAIT ELECTRONICS		A1
TB8100		
LINE INTERFACE		
IPN: 220-02024-21	ISSUE: A	VARIANT NUMBER: -
FILE DATE: Mon Feb 12 11:15:35 2007		
ENGINEER: Alastair C	FILE NAME: 220_02024	SHEET NUMBER: 10 OF 18

REV/ISS	AMENDMENTS	DRAWN	CHKD	D.O.	APVD	DATE
1						



© TAIT ELECTRONICS			A1
TB8100 MOD			
IPN:	ISSUE:	VARIANT NUMBER:	
220-02024-21	A	-	
FILE DATE: Mon Feb 12 11:15:42 2007			
ENGINEER:	FILE NAME:	SHEET NUMBER:	
Alastair C	220_02024	11 OF 18	

REV/ISS	AMENDMENTS	DRAWN	CHKD	D.O.	APVD	DATE
1						

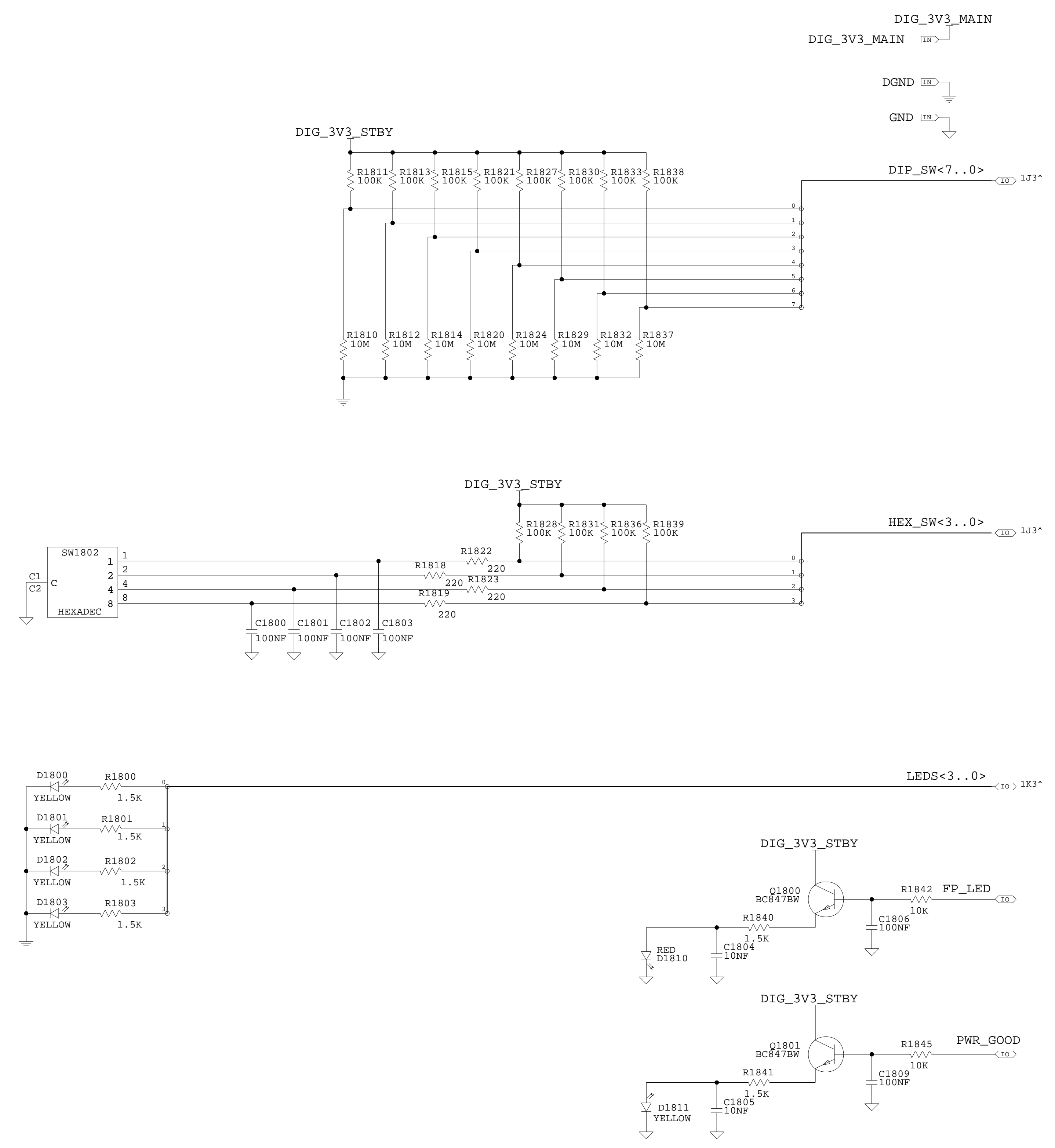


© TAIT ELECTRONICS		A1
TB8100		
LOGIC DESIGN		
IPN: 220-02024-21	ISSUE: A	VARIANT NUMBER: -
FILE DATE: Mon Feb 12 11:15:48 2007		
ENGINEER: Alastair C	FILE NAME: 220_02024	SHEET NUMBER: 12 OF 18

REV/ISS	AMENDMENTS	DRAWN	CHKD	D.O.	APVD	DATE
1						

1 2 3 4 5 6 7 8 9 10 11 12 13 14

K
J
H
G
F
E
D
C
B
A



© TAIT ELECTRONICS		A1
TB8100 CONFIGURATION		
IPN: 220-02024-21	ISSUE: A	VARIANT NUMBER: -
FILE DATE: Mon Feb 12 11:16:00 2007		
ENGINEER: Alastair C	FILE NAME: 220_02024	SHEET NUMBER: 14 OF 18

REV/ISS	AMENDMENTS	DRAWN	CHKD	D.O.	APVD	DATE
1						

1 2 3 4 5 6 7 8 9 10 11 12 13 14

1 2 3 4 5 6 7 8 9 10 11 12 13 14

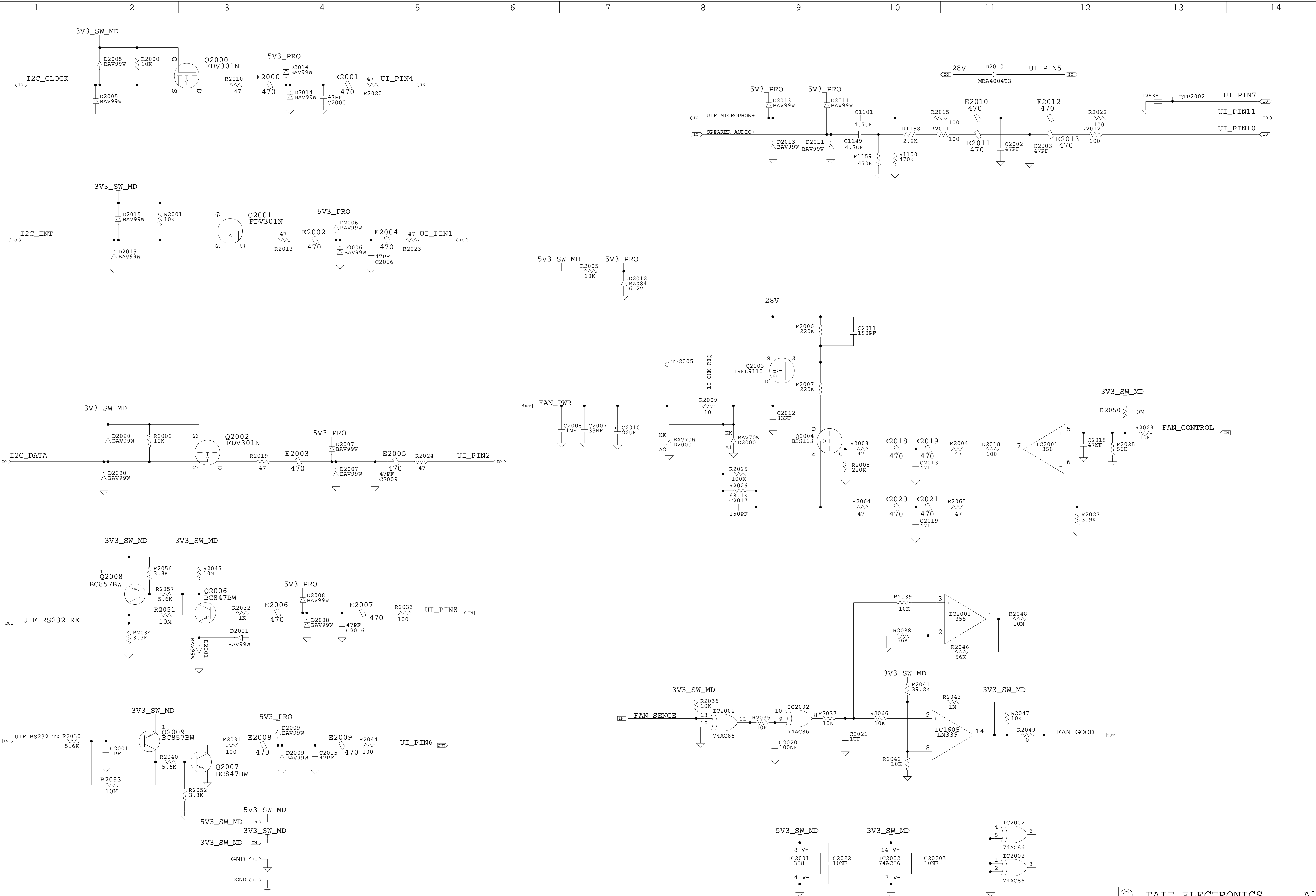
K
J
H
G
F
E
D
C
B
A



© TAIT ELECTRONICS		A1
TB8100		
SYSTEM CONNECTOR		
IPN:	ISSUE:	VARIANT NUMBER:
220-02024-21	A	-
FILE DATE:	FILE NAME:	SHEET NUMBER:
Mon Feb 12 11:16:05 2007	220_02024	15 OF 18
ENGINEER:	FILE NAME:	SHEET NUMBER:
Alastair C	220_02024	15 OF 18

REV/ISS	AMENDMENTS	DRAWN	CHKD	D.O.	APVD	DATE
1						

1 2 3 4 5 6 7 8 9 10 11 12 13 14



© TAIT ELECTRONICS		A1
TB8100 FILT		
IPN: 220-02024-21	ISSUE: A	VARIANT NUMBER: -
FILE DATE: Mon Feb 12 11:16:12 2007		
ENGINEER: Alastair C	FILE NAME: 220_02024	SHEET NUMBER: 16 OF 18

REV/ISS	AMENDMENTS	DRAWN	CHKD	D.O.	APVD	DATE
1						

1 2 3 4 5 6 7 8 9 10 11 12 13 14

K

J

H

G

F

E

D

C

B

A

K

J

H

G

F

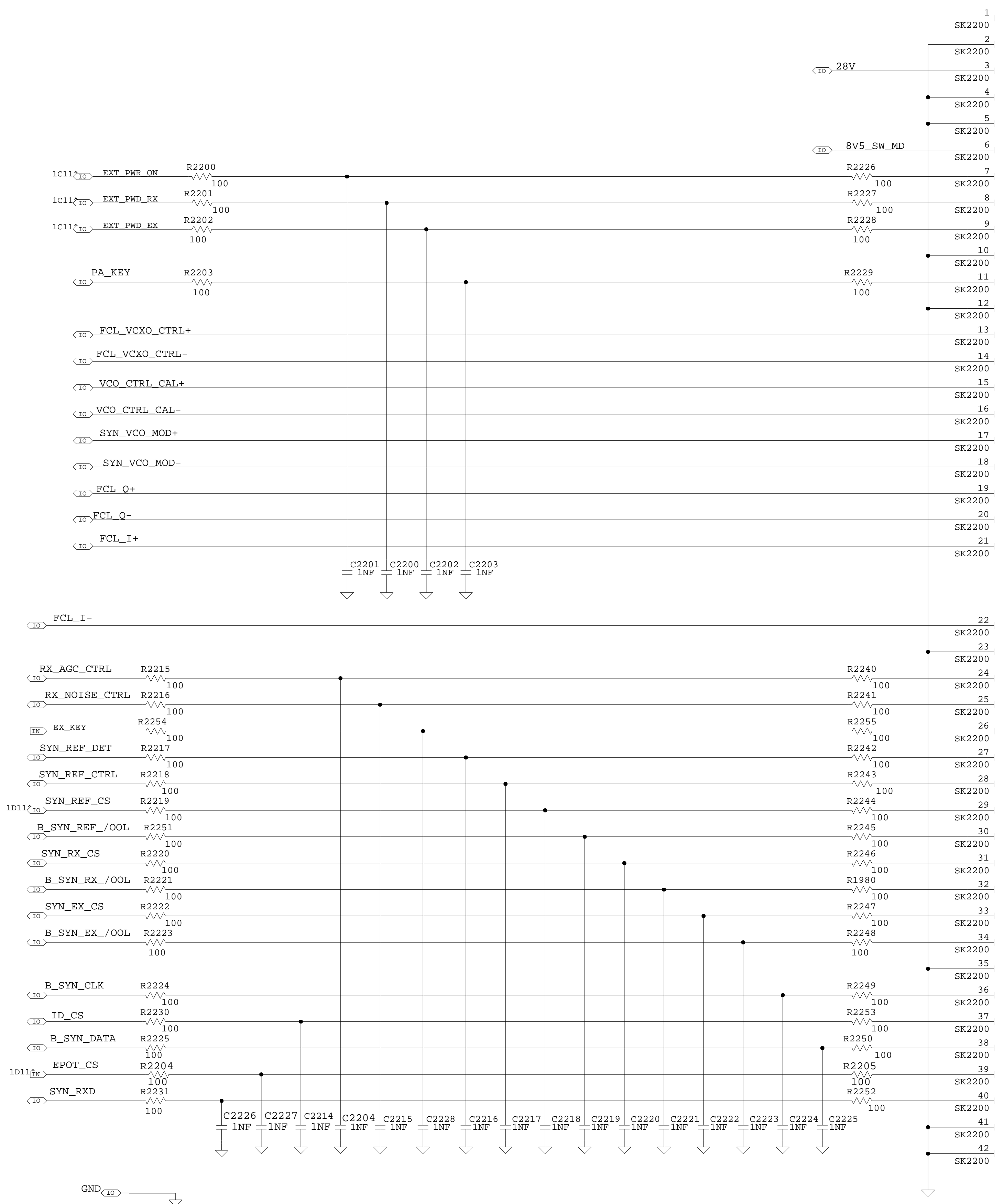
E

D

C

B

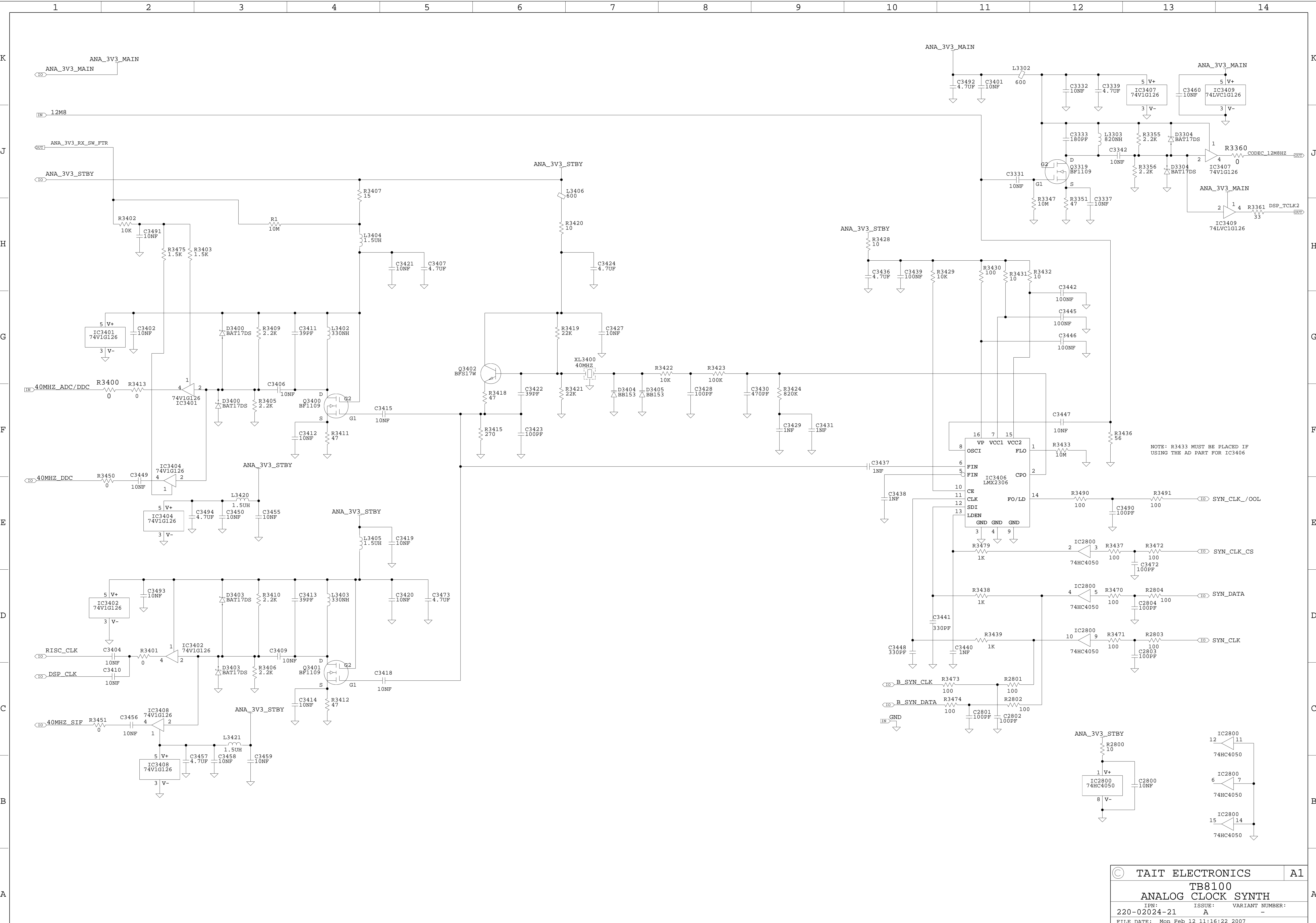
A



© TAIT ELECTRONICS		A1
TB8100 DIG_CONN		
IPN: 220-02024-21	ISSUE: A	VARIANT NUMBER: -
FILE DATE: Mon Feb 12 11:16:17 2007		
ENGINEER: Alastair C	FILE NAME: 220_02024	SHEET NUMBER: 17 OF 18

REV/ISS	AMENDMENTS	DRAWN	CHKD	D.O.	APVD	DATE
1						

1 2 3 4 5 6 7 8 9 10 11 12 13 14



NOTE: R3433 MUST BE PLACED IF USING THE AD PART FOR IC3406

© TAIT ELECTRONICS		A1
TB8100		
ANALOG CLOCK SYNTH		
IPN:	ISSUE:	VARIANT NUMBER:
220-02024-21	A	-
FILE DATE:	Mon Feb 12 11:16:22 2007	
ENGINEER:	FILE NAME:	SHEET NUMBER:
Alastair C	220_02024	18 OF 18

REV/ISS	AMENDMENTS	DRAWN	CHKD	D.O.	APVD	DATE
1						